



# LineGard | PGFM Series (GFCI)

## GFCI Ground Fault Protection Sensing Module

### INTRODUCTION

The LineGard™ PGFM GFCI Sensing Module is a ground fault or equipment leakage sensing device designed and manufactured by North Shore Safety, a leader in innovated safety products. The PGFM operates in tandem with an approved Airpax LEL Series, UL 489 listed circuit breaker, with shunt trip and auxiliary switch.

The **combined assembly** is recognized as a Class A UL 943 rated device. The sensing module is available in models to operate at supply voltages of 120 VAC or 240VAC and can monitor single and split phase circuits.

These devices meet the requirements of OSHA 29 CFR1926.404 (b)(1)(ii) and OSHA 29 CFR 1926.405 (a) (2)(ii)(G) and are backed by a 2 year manufacturer's warranty.



Airpax™ LEL series

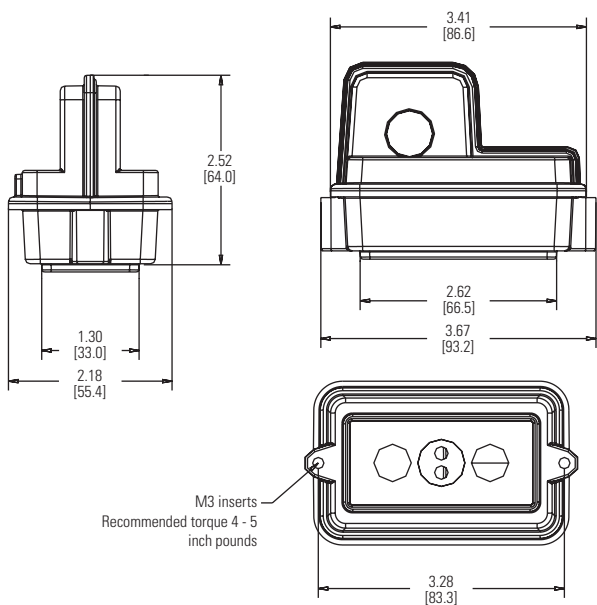
### FEATURES

- Power and fault status indicators
- Provides identification of a ground fault vs. short circuit trip
- Chemical and UV resistant enclosure
- Trip level of sensing device 5mA ± 1mA Class A UL 943
- Sensing module operates at 120VAC or 240VAC, single phase
- Unit operating temperature is -35°C to +66°C
- Accommodates up to 2 wires, 10 AWG, twisting of the wires is required

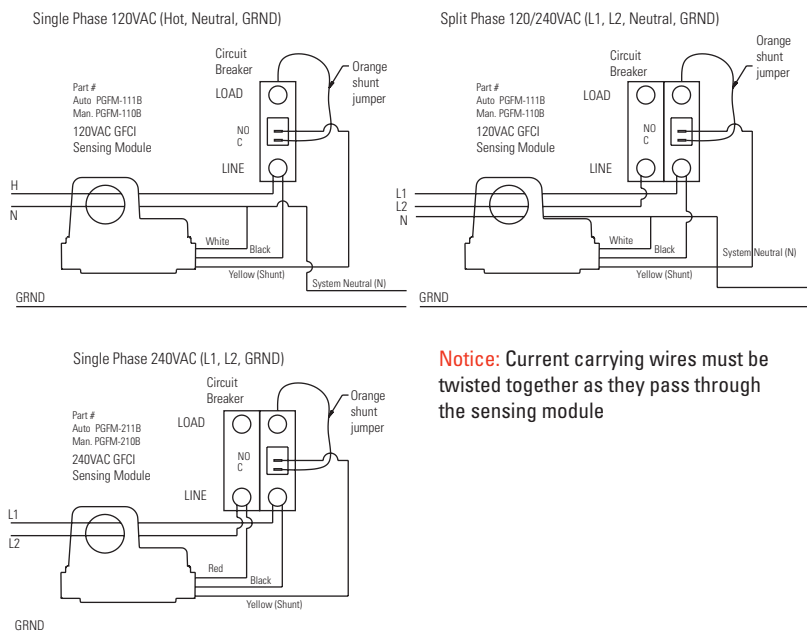
SPECIFICATIONS	
Type	E-11 GFP - UL 943 Category FTTJ2 when used in tandem with Airpax LEL series UL 489 listed circuit breaker with shunt trip
Operating Voltage	120 VAC or 120/240 VAC
Interrupting Voltage	Rating of UL 489 listed circuit breaker
Sensing Coil Voltage Limit	600 VAC maximum
Phase Interrupt	Single (120 VAC 3 wire) and Split (120/240 VAC 4 wire)
Interrupting Current	Rating of UL 489 listed circuit breaker
Trip Time of Combined Assembly	100mS or less (60mS nominal)
Trip Level	5mA +/- 1mA
Frequency	50/60 Hz
Operating Temperature	-35°C to +66°C
Reset Type	Automatic on power up

Note: 1. Manual configuration should be specified if automatic start-up after power restoration of circuit power creates an unsafe condition.  
 2. As per UL 943 requirements, portable devices may require breaking of neutral during ground fault detection. Please contact the factory.  
 3. Please contact Airpax for optional ELCI, UL 1053 compliant devices.

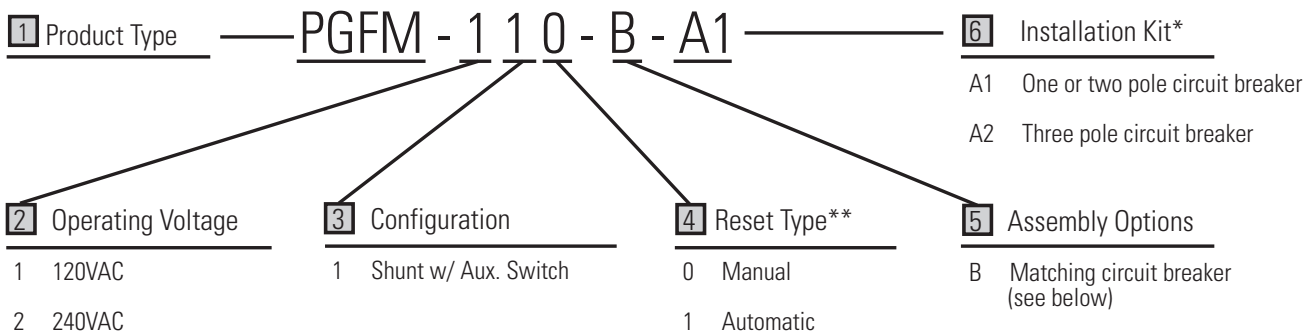
### Sensing Module Dimensions:



### Circuit Schematic (examples):



**Notice:** Current carrying wires must be twisted together as they pass through the sensing module



\*Note: Installation kits are for mounting the module and connecting to the tandem circuit breaker.

A1 - Kit # 057-000-0001 = panel seal gasket, module mounting screws, instructions and jumper w/ two 90° quick connectors

A2 - Kit # 057-000-0002 = panel seal gasket, module mounting screws, instructions, jumper w/ one 90° quick connector, one straight quick connector

\*\*Note: Manual configuration should be specified if automatic power-up, after power restoration of circuit power, could create an unsafe condition.

To determine a matching circuit breaker for use in tandem with the LineGard™ Sensing Module, please contact us directly or your local Sensata Representative for assistance with the appropriate identifying part number.



*This document is generated from the AIRPAX™ full-line catalog #2455005000 printed in USA, January 2011*

## BUSINESS CENTERS

---

### **Sensata Technologies**

807 Woods Road  
Cambridge, MD 21613, USA  
Phone: +1 410-228-1500  
Brands: Airpax™

### **Sensata Technologies Inc.**

529 Pleasant Street  
Attleboro, MA 02703, USA  
Phone: +1 508-236-3287  
Brands: Klixon™, Sensata Technologies™

### **Sensata Technologies**

4467 White Bear Lake Parkway  
St. Paul, MN 55110, USA  
Phone: +1 800-553-6418  
Brands: Dimensions™

### **Sensata Technologies Holland B.V.**

Kolthofsingel 8  
7602 EM Almelo, The Netherlands  
Phone: +31 546 87 95 55  
Brands: Klixon™, Sensata Technologies™

### **Sensata Technologies China Co., Ltd.**

Novel Plaza, 8th Floor  
128 Nanjing Road West  
Shanghai, 20003  
People's Republic of China  
Phone: +86 21 23061500  
Brands: Klixon™, Sensata Technologies™

### **Sensata Technologies Korea Ltd.**

29F, Trade Tower  
159-1 SamSung-Dong, KangNam-Ku, Seoul  
135-729, Korea  
Phone: +81-2-551-2918  
Brands: Klixon™, Sensata Technologies™

### **Sensata Technologies Japan Ltd.**

305, Tanagashira  
Oyama-cho, Sunto-gun, Shizuoka-ken  
Japan, 410-1396  
Phone: +81 550 78 1211  
Brands: Klixon™, Sensata Technologies™

### **Sensata Technologies Nihon-Airpax**

6-3, Chi Yoda 5 Chome  
Saitama-Ken  
Japan, 350-0214  
Phone: +81 492 83 7575  
Brands: Airpax™



Important Notice: Sensata Technologies (Sensata) reserves the right to make changes to or discontinue any product or service identified in this publication without notice. Sensata advises its customers to obtain the latest version of the relevant information to verify, before placing any orders, that the information being relied upon is current. Sensata assumes no responsibility for infringement of patents or rights of others based on Sensata applications assistance or product specifications since Sensata does not possess full access concerning the use or application of customers' products. Sensata also assumes no responsibility for customers' product designs.

<http://airpax.sensata.com/>